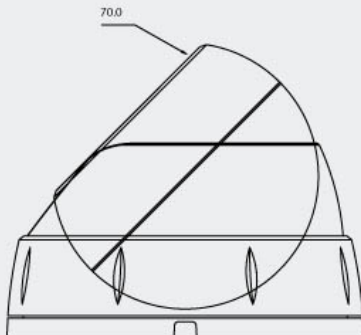
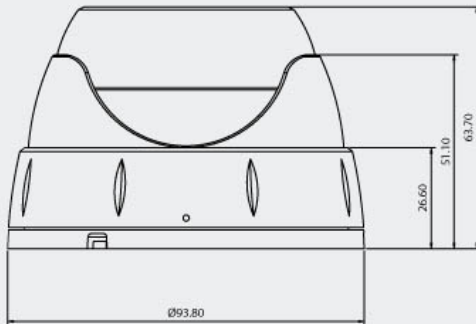




Features

- 1/3" IT CCD
- Ultra High Resolution : 600 TV Lines
- Built in Fixed Lens (f=3.8mm)
- **Intelligent IR Technology**
- Built-in IR LEDs(25ea)
- Min. Illumination : 0.00 Lux (IR LED On)
- Auto White Balance
- AGC, SBLC
- 3 Axis Movement for Free Lens Rotation
- Eye Ball Size : 70mm

DIMENSIONS



SPECIFICATIONS

Model	LJL-20S	LJL-21S
Signal System	NTSC	PAL
Scanning System	2:1 Interlace	
Scanning Frequency (H)/(V)	15.734 KHz / 59.94 Hz	15.625 KHz / 50 Hz
Image Sensor	1/3 Inch IT CCD	
Total / Effective Pixels	768(H) x 494(V) 380K	752(H) x 582(V) 440K
Horizontal Resolution	600 TV Lines (BW 650TV Lines)	
Video Output	1.0V p-p (75Ω, Composite)	
S/N Ratio	More than 50dB(AGC Off)	
Lens	DC Iris Fixed Lens (f=3.8mm)	
Min.Illumination	0.05 Lux (Color), 0.00 Lux (IR LED On)	
IR LED and Sensor	Intelligent IR Technology , IR LEDs (850nm, 30') 25EA	
IR LED Visible Range	Max. 15m	
White Balance	Auto	
AGC	Auto	
SBLC	Auto	
Shutter Speed	1/60~1/120,000 Sec.	1/50~1/120,000sec.
Supplied Voltage	DC 12V (10V~15V)	
Power Consumption	Max. 4.5/360mA	
Dimensions (ØxH)	70 x 63.7	
Weight	Approx. 434g	