

**EPSON**<sup>®</sup>  
EXCEED YOUR VISION



## Epson AcuLaser M2000 Series

### High performance A4 mono laser printing for your business

Add speed, efficiency and quality to your office and workgroup printing with Epson's latest A4 mono laser series. Combine high-speed 28 ppm and duplex flexibility with simple operation and low print costs.

Choose the model that suits you best: standard version for single user, network version for small working groups. This compact laser is a fast, efficient addition to any business. From high volume documents to invoices and envelopes, Epson's acclaimed technologies maximise speed and quality and achieve one of the most effective low cost per page printers on the market.

Handle jobs quickly and efficiently with standard duplex, fast processing, Epson MITech Memory Management.

**Fast, cost-effective printing** – versatile mono laser for all your business printing

**Great results** – print up to 28 ppm with fast processing and efficient memory management

**Print in seconds** – Epson Application Specific Integrated Circuit (ASIC) technology processes documents at high speed for fast first page out

**Versatile paper management** – standard 300 sheets with 50 sheet manual tray and 250 sheet cassette; expandable to 800 sheets with 2 optional 250 sheet cassettes

**Manage jobs with ease** – multi-page printing is handled fast with Epson Controller technologies

**Professional results** – genuine Adobe<sup>®</sup> PostScript and PCL add quality and accuracy to whatever you print

**Simple to maintain** – long-life components and easy maintenance

**Save energy and keep costs low** – save paper with standard duplex, high yield toner available for low CPP

#### Key benefits:

- Fast 28 ppm printing and first page out in only 6 seconds
- Standard duplex for efficient use of paper and a professional finish
- 2 models: M2000D with USB and Parallel port, M2000DN with Network and USB
- Easy to integrate into your IT environment: genuine Adobe<sup>®</sup> PostScript driver and PCL as standard

## Epson AcuLaser M2000 Series

### Print features

Printing technology	Laser
Resolution	True 1200dpi
Print speed	28 ppm (Duplex: 14 ppm)
First page out	6 seconds
Warm up time	14 seconds
Maximum monthly volume	20,000 pages

### Controller specifications

Processor	300 Mhz
Memory	D version: 32MB standard, up to 288MB DN version: 64MB standard, up to 320MB
Printer control language emulations	ESC/Page(B/W), FX, ESCP2, i239X, PCL5e, PCL6, Adobe® PostScript3, PDF 1.3
Resident typefaces	Scalable: 84 ESC/Page, 95 PCL5c, 80 PCL6, 17 PS3 Bitmap: 7 ESC/Page, 5 PCL5c, 1 PCL6 Typeface: 10 ESC/P2, 8 FX, 8 i239X

### Interfaces and connectivity

Interfaces	D Model: USB 2.0HS and IEEE 1284 Parallel Port DN Model: USB 2.0HS and Ethernet interface (100Base-TX/10Base-T)
------------	--

### Media handling

Standard paper input	300 Sheets (50 Multi-purpose tray + 250 sheet Paper Cassette)
Optional paper handling	Optional 250 sheet Paper Cassette (Max: 2)
Maximum paper input	800 sheets (50 Multi-purpose tray + 250 sheet Paper Cassette+ 2 extra 250 sheet Paper Cassettes)
Duplex	Standard (built-in)
Paper size	A4, A5, B5, LT, GLT, HLT, LGL, GLG, IB5, EXE, C5, C6, DL, F4
Paper weight	60 – 220 g/m <sup>2</sup>
Paper output standard/maximum	250 sheets (face down)

### Power requirements

Norms	International Energy Star compliant
Rated voltage/frequency/current	220V to 240V / 50Hz or 60Hz / 3.9 A
Power consumption	840W (Max Operating), 465Wh (Printing), 7Wh (Ready), 3W (Sleep), 0W (Standby)

### System requirement and OS support

System requirement	PC: USB Host (1.1), Ethernet (100BaseTX/10BaseT), USB 2.0HS MAC: EtherTalk, USB (only Macintosh systems equipped with a USB connector and running Mac OS 9.x or higher)
Windows/Mac support	Microsoft Windows 2000 / XP / Server 2003 / Microsoft Windows Vista / XP x64 Edition / Server 2003 x64 Edition / Vista x64 Edition For compatibility details relating to Linux, Unix, Novell, SAP, etc. please refer to <a href="http://www.business-solutions.epson.co.uk/Compatible.htm">http://www.business-solutions.epson.co.uk/Compatible.htm</a>
Mac/Linux/Unix/Citrix/SAP/Novell support	

### Additional softwares

Drivers	Printer Driver, Epson Status Monitor 3, Reference Guide, Paper Jam Guide
Software	Network Utilities, Network Guide

### Dimensions and weight

(W x D x H mm, Kg)*	Epson AcuLaser M2000D/DN: main unit 378mm x 390mm x 255mm, 11.5Kg
---------------------	---

### Environmental conditions

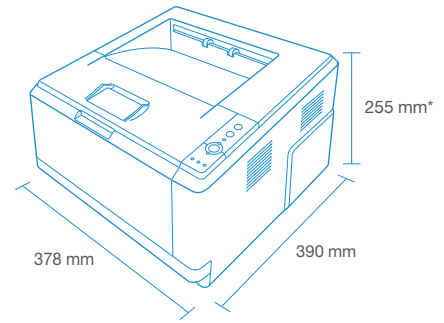
Temperature	Operation: 10 to 32.5 °C / Storage: -20 to 40 °C
Humidity	Operation: 15 to 80% RH / Storage: 10 to 90% RH
Sound power	Operating: 6.9 B; Standby: 4.0 B
Sound pressure	Operating: 55 dB(A); Standby: 30 dB(A)

### Safety and regulations

Safety standards	Dust: 0.075 mg/m <sup>3</sup> , Ozone: 0.02 mg/m <sup>3</sup> , Styrene: not exceeding 0.07, mg/m <sup>3</sup> , Benzene: 0.05mg/h, no PVC in plastics, T-AS03-007 chemical compliance safety standards
------------------	---

### Warranty

	1 year return to Epson Optional Epson CoverPlus 3 year extended Warranty On-site Optional Epson CoverPlus 3 year extended Warranty Return to Epson
--	--



\*Height of D/DN model

### Model configurations

Epson AcuLaser M2000D	C11CA07011BZ
Epson AcuLaser M2000DT	C11CA07011BY
(M2000D plus optional 250 sheet Paper Cassette)	
Epson AcuLaser M2000DN	C11CA07051BZ
Epson AcuLaser M2000DTN	C11CA07051BY
(M2000DN plus optional 250 sheet Paper Cassette)	

### Supplies

High capacity toner cartridge, 8000 pages (ISO 19752)	C13S050435
Standard capacity toner cartridge, 3500 pages (ISO 19752)	C13S050436
Return high capacity toner cartridge, 8000 pages (ISO 19752)	C13S050437
Return standard capacity toner cartridge, 3500 pages (ISO 19752)	C13S050438
Initial Toner: 2000 pages (ISO 19752)	



High capacity



Standard capacity

### Options and memory

32MB RAM	7000273
64MB RAM	7000275
128MB RAM	7000276
256MB RAM	7000277
Optional 250 sheet Paper Cassette	C12C802461

### Maintenance

3 years on-site	ECPGR35
3 years return to Epson	ECPGRP20



For further information please contact your local Epson office or visit [www.epson-europe.com](http://www.epson-europe.com)

Austria 0810/20 01 13 (0,07 €/Min.) Belgium 070/350120 (0.1735 €/min.) Czech 800/142 052 Denmark 44 50 85 85  
Finland 0201 552 091 France 0892 899 999 (0,34 €/min) Germany 01805/23 41 10 (0,14 €/Min.) Greece 210-8099499  
Hungary 06800 147 83 Ireland 1 800 409132 Italy 02-660321 10 (0,12 €/min.) Luxemburg 900/43010 (0,24 €/min.)  
Middle East +9714 8818934 Netherlands 0900-5050808 (0.05 €/oproep + 0.15 €/min.) Norway 22 06 42 80  
Poland 0-0-800 4911299 (0,16 zł/min.) Portugal 707 222 111 Russia (095) 777-03-55 Slovakia 0850 111 429  
South Africa (+2711) 465-9621 Spain 93 582 15 00 Sweden 0771-400135 (Mobilsamtal – 0,99 kr/min, Lokala  
samtal – 0,30 kr/min, Utlandssamtal – 0,89 kr/min) Switzerland 0848 448820 (4-8 cent./min.) Turkey (0212) 3360303  
United Kingdom 08702 416900

Entity carrying out management and coordination pursuant to article 2497 bis of Civil Code: Epson Europe BV

EPSON® is a registered trademark of Seiko EPSON® Corporation. All other product names and other company names used herein are for identification purposes only and may be trademarks or registered trademarks of their respective owners. Errors and omissions excepted, all specifications are subject to change without notice.

**EPSON®**