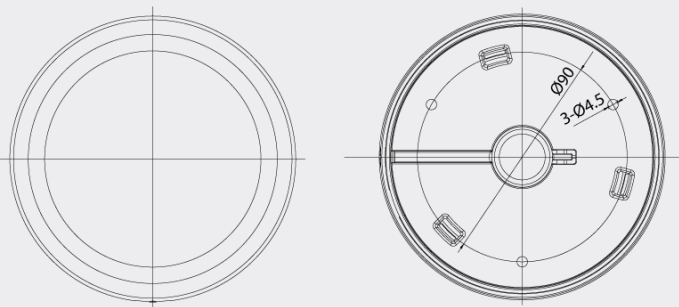
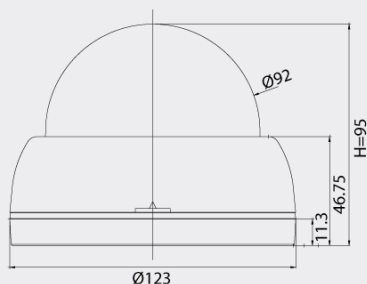




## Features

- 1/3" IT CCD
- Ultra High Resolution : 600 TV Lines
- Built in Fixed Lens (f=3.8mm)
- **Intelligent IR Technology**
- Built-in IR LEDs(28ea)
- Min. Illumination : 0.00 Lux (IR LED On)
- OSD, Auto White Balance
- AGC, SBLC, Flickerless
- Motion Detection, Privacy Zone, Mirror Function
- Extra Video Out Port for Installer
- 3 Axis Movement for Free Lens Rotation
- Dome Size : 92mm
- Option : RS-485(Pelco-D, CNB) Interface
- High glossy Design

## DIMENSIONS



## SPECIFICATIONS

Model	LBM-20S	LBM-21S
Signal System	NTSC	PAL
Scanning System	2:1 Interlace	
Scanning Frequency (H)/(V)	15.734 KHz / 59.94 Hz	15.625 KHz / 50 Hz
Image Sensor	1/3 Inch IT CCD	
Total / Effective Pixels	768(H) x 494(V) 380K	752(H) x 582(V) 440K
Horizontal Resolution	600 TV Lines (BW 650TV Lines)	
Video Output	1.0V p-p (75Ω, Composite)	
S/N Ratio	More than 50dB(AGC Off)	
Lens	DC Iris Fixed Lens (f=3.8mm)	
Min.Illumination	0.05 Lux (Color), 0.00 Lux (IR LED On)	
IR LED and Sensor	<b>Intelligent IR Technology</b> , IR LEDs (850nm, 30°) 28EA	
IR LED Visible Range	Max. 15m	
OSD	English, Chinese	
Digital Noise Reduction	Low, Middle, High, Off	
White Balance	Auto	
AGC	On/Off	
SBLC	Off, Low, Middle, High	
Flickerless	On/Off	
Privacy Zone	On/Off (4 Programmable Zone)	
Motion Detection	On/Off (4 Programmable Zone)	
Mirror Function	Horizontal	
Shutter Speed	1/60~1/120,000 Sec.	1/50~1/120,000sec.
Manual Shutter Speed	1/60, 1/250, 1/700, 1/1K, 1/1.6K, 1/2.5K, 1/5K, 1/7K, 1/10K, 1/30K, 1/60K, 1/120K	
Supplied Voltage	DC 12V (10V~15V)	
Power Consumption	Max. 2.2W/180mA	
Dimensions (ØxH)	123 x 95 mm	
Weight	Approx. 366g	